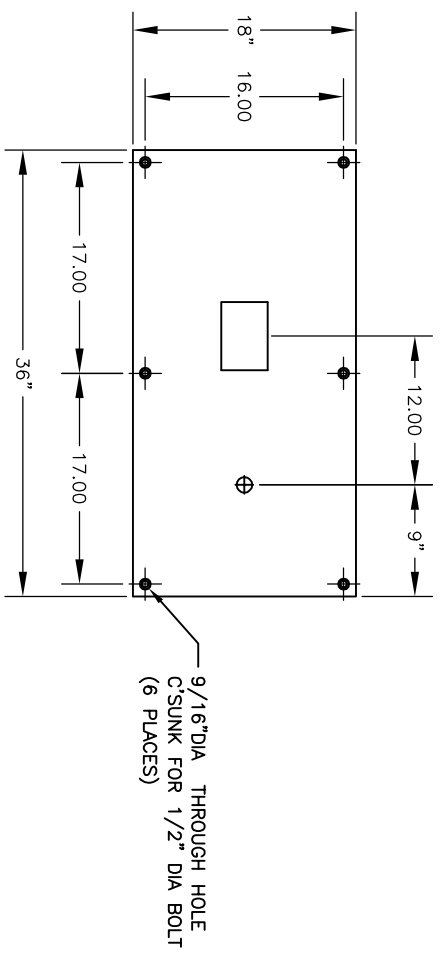


SPECIFICATIONS:

- MOTOR: 2 HP, 3600 RPM
230/460 VOLT, 3 Ø, 60 HZ
EX-PROOF, CL 1, Div 1, GR D
INVERTER DUTY
- DRIVE: V-BELT, VARIABLE SPEED
VIA OPTIONAL INVERTER
- SHAFT: STAINLESS STEEL
- IMPELLER: GENUINE COWLES HI-SHEAR 4" DIA
- SPEED RANGE: 6000 RPM AT 60 HZ
- LIFT CYLINDER: AIR OPERATED LIFT, 14" STROKE
- INSTRUMENTATION: TACHOMETER
- UTILITIES REQUIRED: ELECTRICAL POWER ; CLEAN DRY
COMPRESSED AIR AT 100 PSIG
- ESTIMATED WEIGHT IS 300 POUNDS
- TANK HOLDER AND LIMIT SWITCH INCLUDED



9/16" DIA THROUGH HOLE
C'SUNK FOR 1/2" DIA BOLT
(6 PLACES)

THIS DRAWING, WHICH REPRESENTS THE MACHINE AS DESCRIBED IN THE QUOTE, IS PRESENTED FOR YOUR REVIEW AND APPROVAL. SHOULD YOU REQUIRE CHANGES TO THIS DESIGN, A REVISED DRAWING AND/OR QUOTE WILL BE SUBMITTED FOR YOUR APPROVAL. PLEASE NOTE THAT ANY CHANGES MAY AFFECT THE FINAL PURCHASE PRICE AND SHIP DATE OF THIS UNIT. MANUFACTURING COMMENCES, AND THE SHIP DATE IS SCHEDULED, UPON RECEIPT AT MorehouseCowles OF A FINAL SIGNED AND DATED APPROVAL DRAWING.

CUSTOMER APPROVAL: _____
DATE: _____

MorehouseCowles
Subsidiary of NusSil Tech.
PHONE: (909)-827-7222 / FAX: (909)-827-7366
13930 MAGNOLIA AVE. CHINO, CA. 91710

SUBJECT: DISSOLVER MODEL V-12-2

REF: 873091	SO#	ASSTY NAME
DRAWN: JOHN C	CHECKED	
DATE: 2/23/06	SCALE: 1/8=1	

871419