

VML-1

ViscoMAX™ Multi-Shaft Mixer

MorehouseCowles ViscoMAX™ multi-shaft mixers are designed for dissolving extremely high viscosity materials of up to 4,000,000 cP. These mixers feature two to three shafts, each with its own specific function to ensure complete homogeneity. Dual or triple motor designs are power matched to your process requirements so you are assured of adequate power availability and efficiency.



Ram discharge



SHAFTS

ViscoMAX™ mixers come standard with two shafts: a high-speed impeller that swirls ingredients throughout the tank and a second, low-speed anchor blade that wipes the vessel walls and pushes product continuously into the high-shear zones for thorough mixing. An optional third shaft can be added to control heat buildup. This intermediate speed shaft mixes product 50% faster than most two-shaft models and works especially well with higher viscosity materials. This eliminates dead and hot spots in heat or shear-sensitive products. Use all three blades simultaneously, or turn off the high-speed impeller to only use the sweep and third shaft when shear is not required. The third shaft is available in standard and custom styles depending on the application.

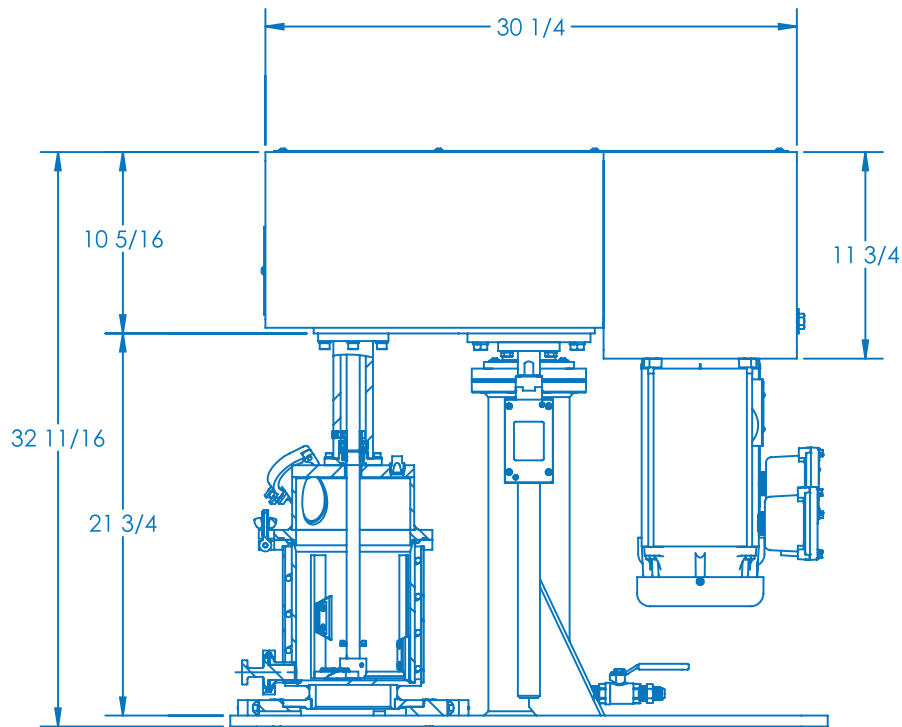
RAM DISCHARGE - MORE PRODUCT TO SELL, LESS TO WASTE

Your heavy viscous products can be effortlessly removed from the tank when you activate the MorehouseCowles hydraulic Ram Discharge System. With a powerful push, your product is forced out of the dispersion tank so it takes less labor and time to empty and clean your equipment.

SPECIFICATIONS

	VML-1
CAPACITY GAL (LITERS)	0.25 – 0.75 (0.94 - 2.83 L)
TANK SIZE - FLAT BOTTOM	6.5" ID X 8" H
HP* (HIGH-SPEED)	2
HP* (LOW-SPEED)	2
SPECIAL FEATURES	<ul style="list-style-type: none"> - Dual and triple motor designs for adequate power - Energy efficient - Variable speed - Designed for easy, less costly maintenance - Glass filled Teflon™ scrapers mounted on slow speed blade for sides and bottom of tank - Thermowell attached to cover, with digital readout.
SAFETY FEATURES	<ul style="list-style-type: none"> - Lift height limit switch – will not run if unit is raised - Drive guard – covers belts and pulley

*HP is based on equipment mixing a maximum viscosity of 250,000 cP



OPTIONS:

LIFT

1. Tank-mount designs
2. Hydraulic lifts for easy tank change: single or dual hydraulic lifts in either air over oil or electric hydraulic powered

DRIVE

1. Variable speed drives are available in variable frequency motor drives
2. Remote drive controls for all drives

SHAFTS

1. Third shaft
2. Custom options: augers, gate blades, butterfly mixers, rotor-stator and axial turbines

TANKS

1. Temperature controls
2. Cooling and heating jackets
3. Spare tanks
4. Ram discharge press

OTHER

1. Vacuum powder loading tube

Made in the USA

For more information, visit [morehousecowles.com](https://www.morehousecowles.com) or contact MorehouseCowles experts today at sales@morehousecowles.com or +1 (909) 627 7222.